

Since 1964 the leader in effective, safe, and reliable products for fisheries conservation.

Knowledgeable field biologists depend upon Smith-Root equipment.

BAT-01 Battery Analysis Tool

The Battery Analysis Tool is an additional module designed to operate with existing Smith-Root batteries and chargers. Its purpose is to test back-pack Electrofisher batteries, and to demonstrate in a clear concise manner the amount of usable life remaining in batteries being tested.

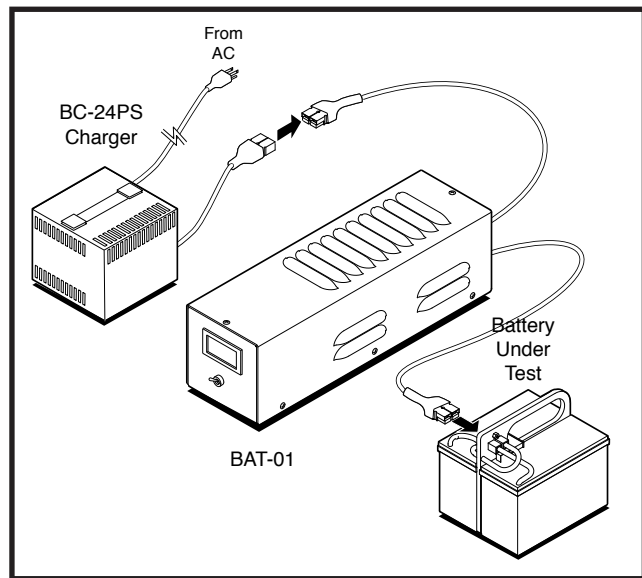
This tool is not to be used during each charge / discharge cycle, but rather is intended to be used a few times a year, just prior to actually using the batteries. It may also be used to accurately test any Smith-Root 24 Volt battery where the battery condition is either unknown or is questionable.

In practice, The battery Analysis Tool is plugged into a standard Smith-Root BC-24PS and also the battery under test. The battery will begin to charge as soon as the charger is plugged in. (Do not use an MC-24 Maintenance Charger for this test)

Wait for the “READY” light on the charger to light, then press the toggle switch on the front of the Battery analyzer to “START TEST”. The Analyzer will disconnect the charger from the battery, and the battery will begin to discharge into the Analyzer at a rate that approximates what a standard back- pack Electrofisher would normally draw.

Discharge will continue until the battery voltage drops below 19.6 Volts, and the entire discharge time will be tallied on the meter on the front of the Analyzer. When the discharge timing cycle is complete, the Analyzer will once again connect the charger to the battery, and re-charge it such that when it is removed from the Analyzer, the battery will be fully re-charged and ready for use.

The discharge time on the meter is then compared to the chart on top of the BAT-01 to determine the battery life remaining. The time on the meter will also be a fairly accurate approximation of how long (in seconds) the battery in question should last in the field when using a back-pack Electrofisher running at 100 Watts of power.



#08539.001

www.smith-root.com

info@smith-root.com
(360) 573-0202 • FAX: (360) 573-2064
14014 NE Salmon Creek Ave.
Vancouver, WA 98686