



SMITH ROOT

# INSTRUCTIONS RCB-6B JUNCTION BOX

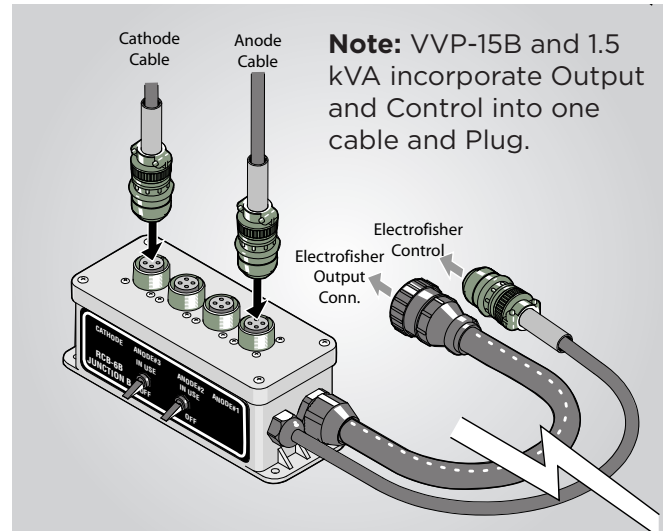
## RCB-6B JUNCTION BOX

for 2.5/5.0 GPP, Type VI-A, VVP-15B, and 1.5kVA Electrofishers

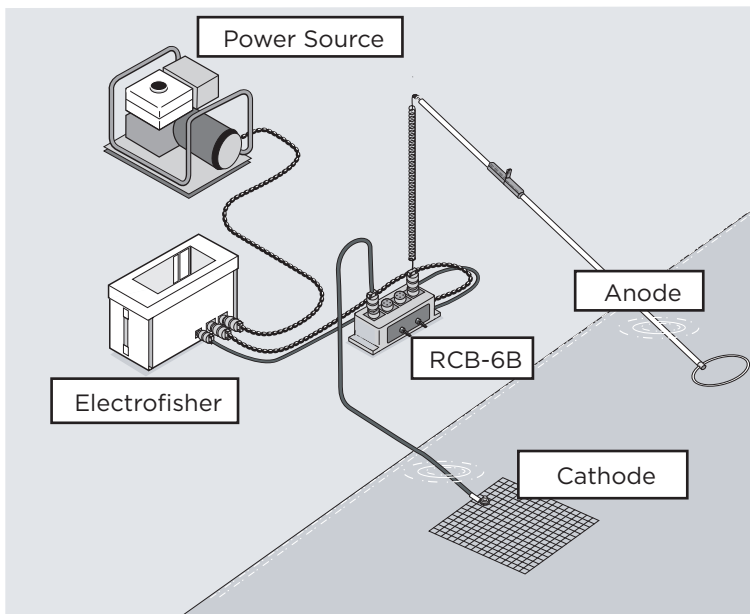
### RCB-6B Junction Box Connection Instructions

1. Connect RCB-6B Output Connector Cable to female output plug on Electrofisher.
2. Connect RCB-6B Control Connector Cable to 4-pin female plug on Electrofisher (GPP and Type VI-A only-VVP-15B and 1.5 kVA have common Output and Control cable and plug).
3. Connect Electrode Device to be used as Anode to plug labelled Anode #1 on RCB-6B.
4. Connect Electrode Device to be used as Cathode to plug labelled Cathode on RCB-6B.

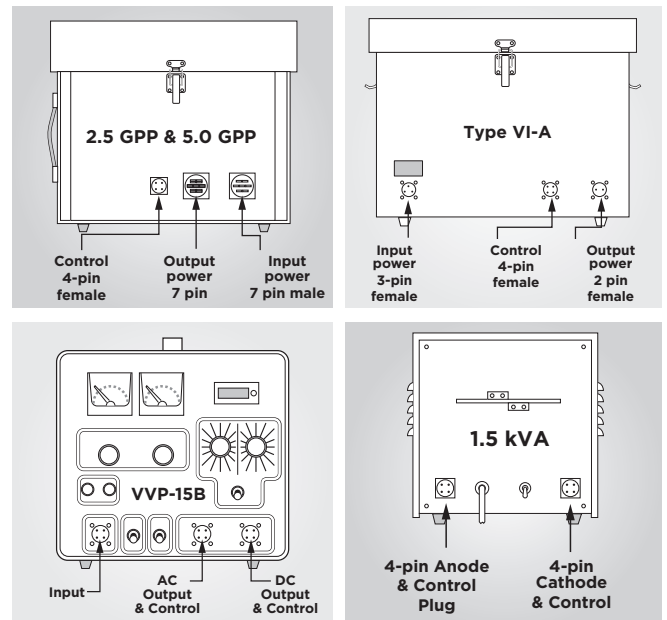
**NOTE:** An Electrode pole must be connected to Anode plug #1 to use the RCB-6B. Anode #2 and #3 are optional for use.



Above: Typical hookup of RCB-6B



Above: Typical hookup of RCB-6B, Electrodes, and Electrofisher.



Clockwise from top: Plug arrangements for 2.5/5.0 GPP, Type VI-A, VVP-15B and 1.5 kVA.

RCB-6B for 2.5/5.0 GPP .....#05251  
RCB-6B for Type VI-A ..... #08747

RCB-6B for VVP-15B .....#08749  
RCB-6B for 1.5 kVA .....#08748

info@smith-root.com • (360) 573-0202  
16603 NE 50th Avenue • Vancouver, WA 98686

www.smith-root.com

08203.002 RCB-6 Junction Box