

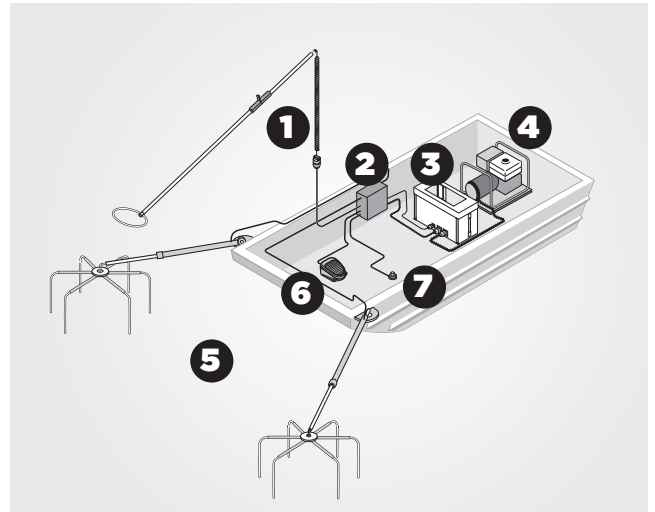
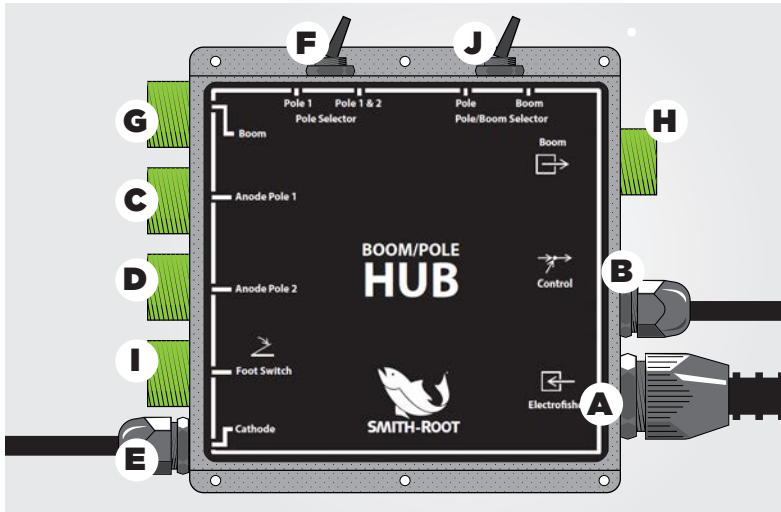


SMITH ROOT

# INSTRUCTIONS HUB Boom-Pole Selector

## HUB BOOM-POLE SELECTOR

for 2.5/5.0 GPP, Type VI-A, VVP-15B, and 1.5kVA Electrofishers



### HUB Boom-Pole Selector Box Instructions

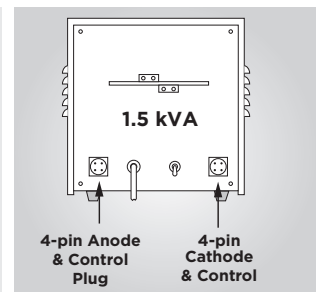
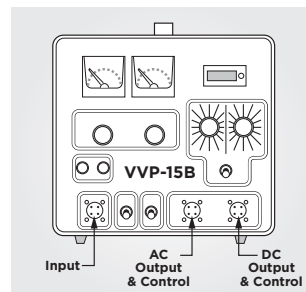
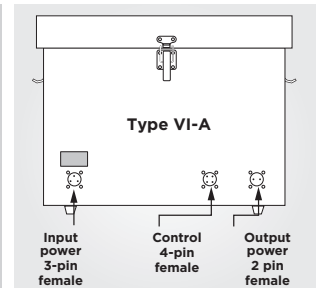
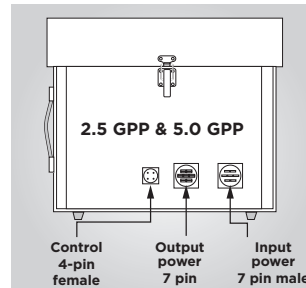
To use the HUB for the connection of anode poles:

1. Connect HUB Input Cable connector (**A**) to female output plug on Electrofisher (see diagrams of electrofishers and their connectors at right).
2. Connect HUB Control Connector Cable (**B**) to 4-pin female plug on Electrofisher.
3. Connect Electrode Device to be used as Anode to plug labeled *Anode #1* (**C**) on HUB. If an additional device is to be used, plug it into the connector labeled *Anode #2* (**D**).
4. Connect Cathode cable (**E**) from HUB to hull of boat/barge in such a way that the hull acts as the cathode device.
5. Switch the *Pole/Boom* switch (**F**) to *Pole*. Switch Pole Selector to *Pole 1* if only using one pole or to *Pole 1 & 2* if two poles are being used simultaneously.

When using booms, follow this procedure:

1. Connect boom cables to connectors labeled *Boom* on top right (**G**) and top left (**H**) of box.
2. Connect Cathode cable from HUB (**E**) to hull of boat.

**Top Left:** Connector and switch arrangement on HUB unit.  
**Above:** Basic connections on a tote barge or small boat with booms and anode pole: Anode Pole (**1**); HUB (**2**); Electrofisher (**3**); Generator (**4**); Booms (**5**); Foot Switch (**6**); Cathode/Ground lug (**7**)



**Clockwise from top:** Plug arrangements for 2.5/5.0 GPP, Type VI-A, VVP-15B and 1.5 kVA.

3. Connect footswitch to connector on HUB labeled Footswitch (**I**).
4. Switch the *Pole/Boom* switch (**J**) to *Boom*.

HUB Boom-Pole Selector.....#02501

info@smith-root.com • (360) 573-0202  
16603 NE 50th Avenue • Vancouver, WA 98686

www.smith-root.com

02508.01 HUB Boom-Pole Selector